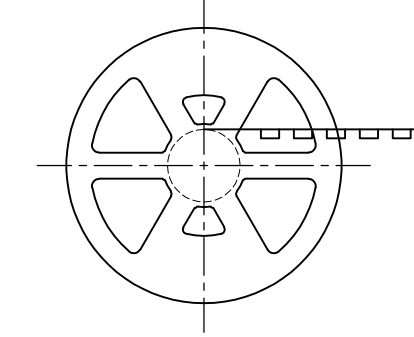
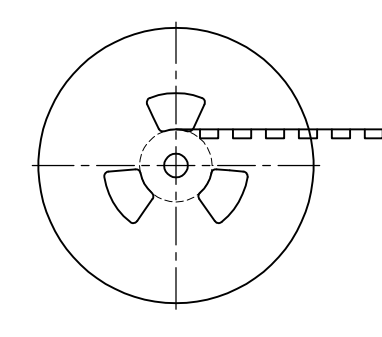
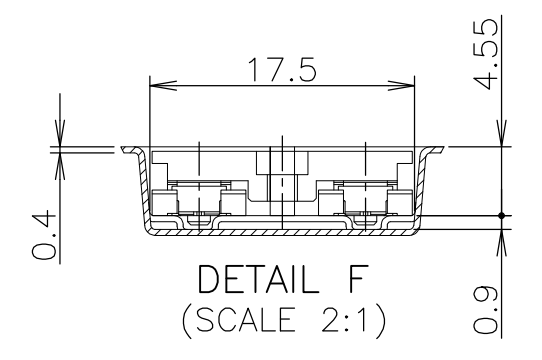
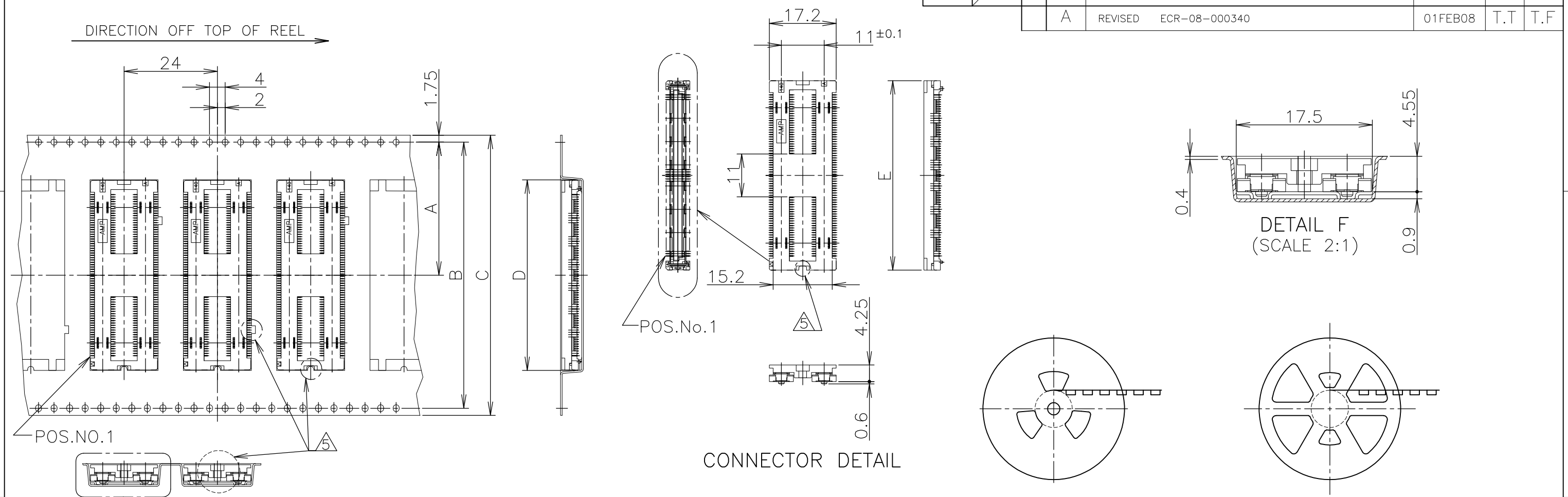


THIS DRAWING IS UNPUBLISHED. RELEASED FOR PUBLICATION JUN , 1996.
 © COPYRIGHT 1996 BY TYCO ELECTRONICS CORPORATION. ALL RIGHTS RESERVED.

LOC	DIST	REVISIONS			DATE	DWN	APVD
		P	LTR	DESCRIPTION			
J		A	REVISED	ECR-08-000340	01FEB08	T.T	T.F

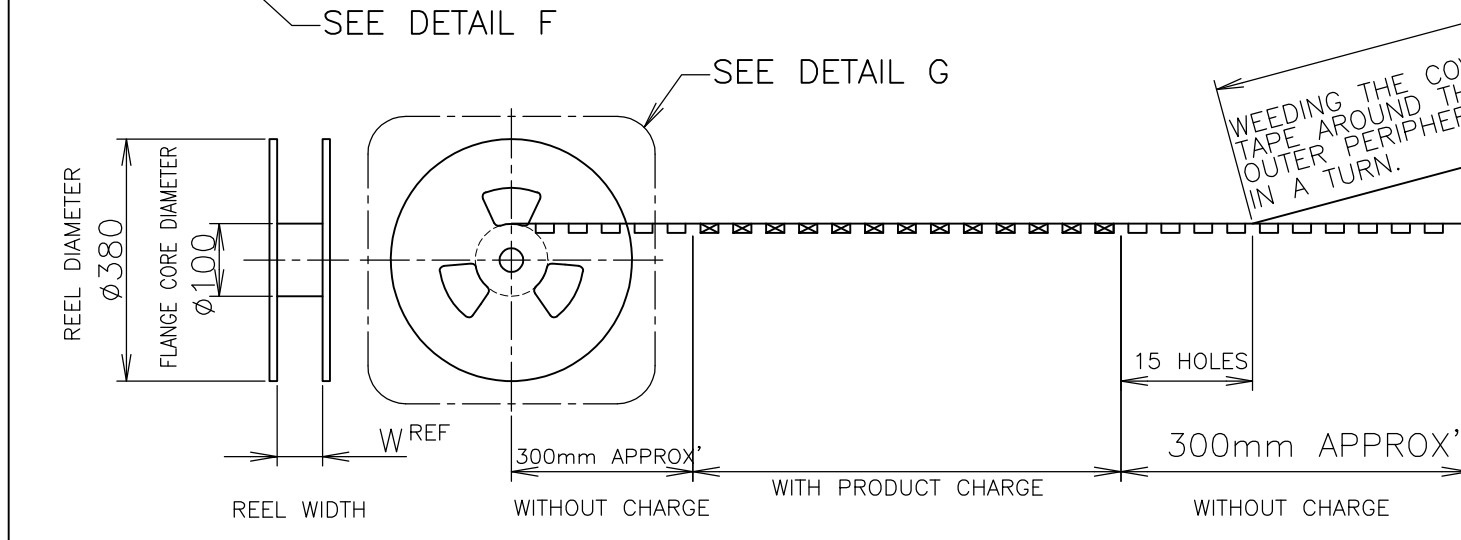


CONNECTOR DETAIL

PAPER REEL

PLASTIC REEL

DETAIL G



SEALANT	REEL	TOOLING STATUS	QTY	W	E	D	C	B	A	POS.	PART NO.
---	NOT AVAILABLE		650	77.5	54.7	55	72	68.4	34.2	320	6-5353206-1
PAPER	AVAILABLE		↑	77.5	48.7	49	72	68.4	34.2	280	6-↑-0
---	NOT AVAILABLE		↑	61.5	42.7	43	56	52.4	26.2	240	5-↑-9
---	NOT AVAILABLE		650	61.5	36.7	37	56	52.4	26.2	200	5-5353206-8
---	NOT AVAILABLE		650	77.5	54.7	55	72	68.4	34.2	320	1-5353206-1
PLASTIC	AVAILABLE		↑	77.6	48.7	49	72	68.4	34.2	280	1-↑-0
---	NOT AVAILABLE		↑	61.5	42.7	43	56	52.4	26.2	240	↑-9
PAPER	AVAILABLE		650	61.5	36.7	37	56	52.4	26.2	200	5353206-8

- 4 THIS PRODUCT WAS COATED BY FLUX-PENETRATION -INHIDITING AGENT.
- 5 CAP HOUSING AND EMBOSS TAPE FOR ONLY 280P HAS THESE ORIENTATION AND SUNK FEATURES.

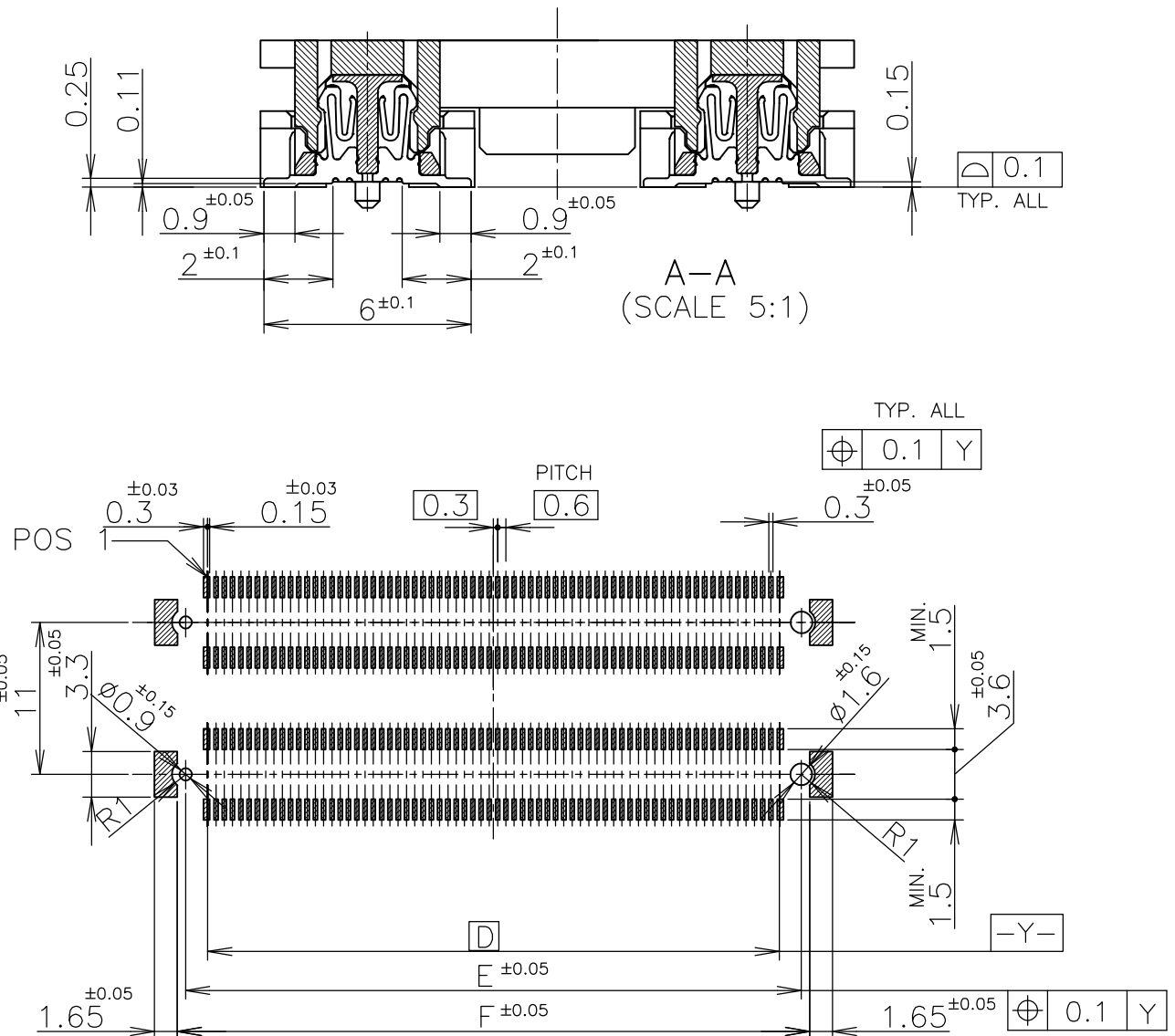
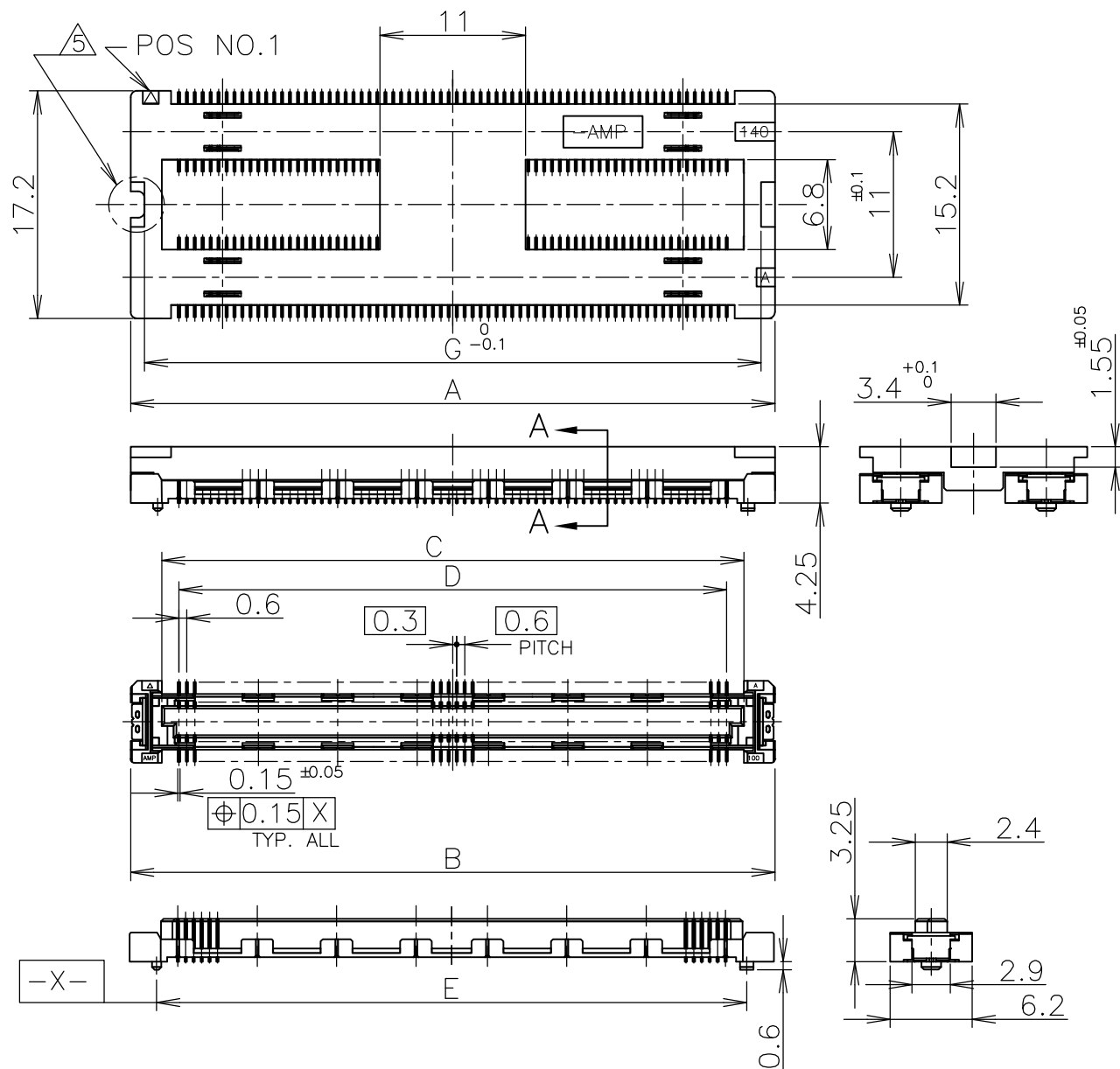
THIS DRAWING IS A CONTROLLED DOCUMENT.

DWN HAWKING HE 14DEC04	Tyco Electronics Corporation Kawasaki, Japan
CHK STEVEN YAO 14DEC04	
APVD I.ENOMOTO 14DEC04	NAME 名称
PRODUCT SPEC 製品規格 108-60047	EMBOSS ASSY FH 0.6BTB CONNECTOR REC 4H 2ROW TYPE W/G-CONT
APPLICATION SPEC 取付適用規格 114-5255	SIZE CAGE CODE DRAWING NO 番号 A3 00779 C-5353206
MATERIAL 材料	RESTRICTED TO

CUSTOMER DRAWING SCALE 1:1 SHEET 1 OF 3 REV A

THIS DRAWING IS UNPUBLISHED. RELEASED FOR PUBLICATION JUN, 1996.
 © COPYRIGHT 1996 BY TYCO ELECTRONICS CORPORATION. ALL RIGHTS RESERVED.

LOC	DIST	REVISIONS			DATE	DWN	APVD
		P	LTR	DESCRIPTION			
J				SEE SHEET 1	-	-	-



REFERENCE P.C. BOARD LAYOUT

- △1 MATERIAL ; HOUSING : HIGH TEMP THERMO PLASTIC
UL94V-0
CONTACT : COPPER ALLOY
- △2 FINISH ; UNDER PL Ni 0.0013mm MIN ALL OVER.
CONTACT AREA 0.0002 MIN Au PL.
SOLDERING AREA
SIGNAL POS: 0.00005 MIN Au PL.
GROUND POS: 0.001 MIN TIN PL.
- △3 THIS POSITION IS GROUND CIRCUIT.

GENERAL TOLERANCE
一般公差

10 ≥	±0.2
30 ≥	>10:±0.25
100 ≥	>30:±0.3
ANGLES	±3°

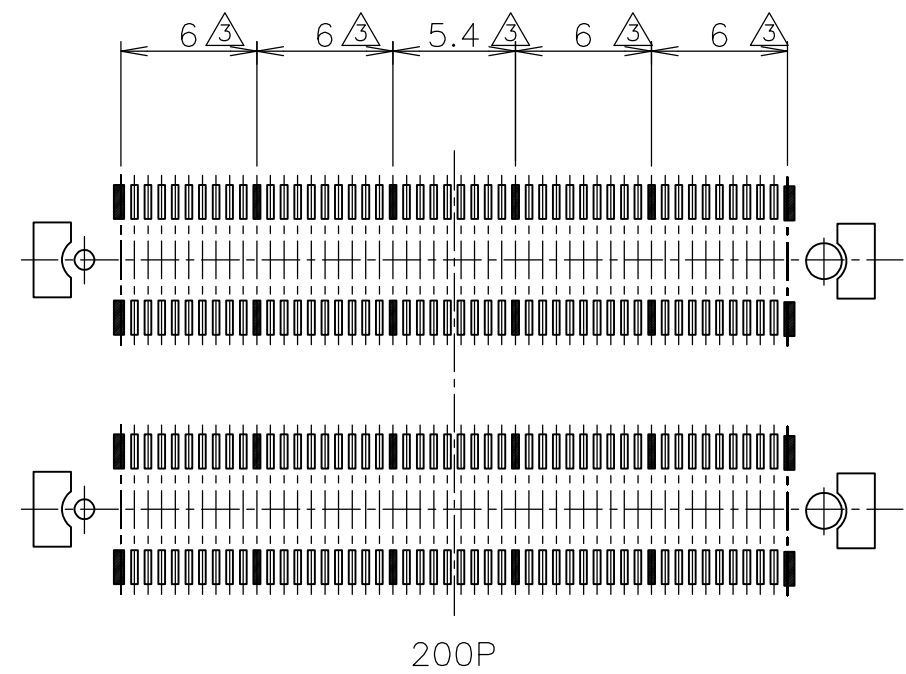
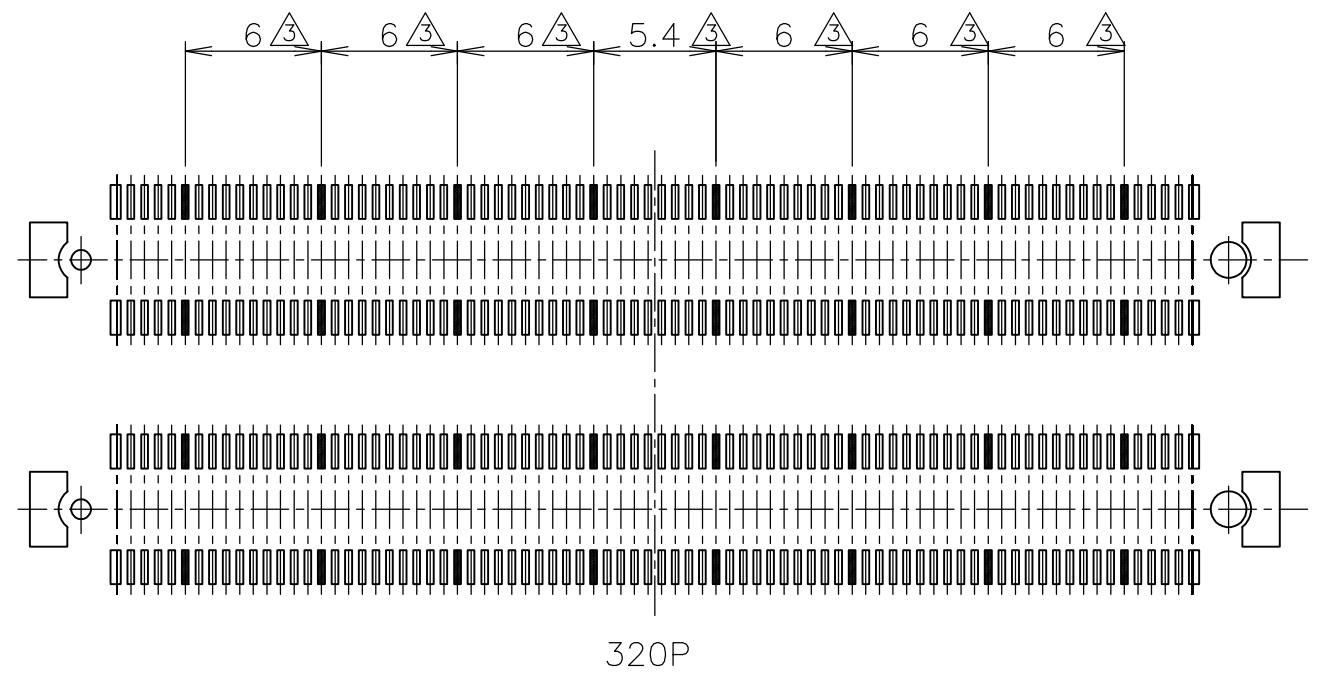
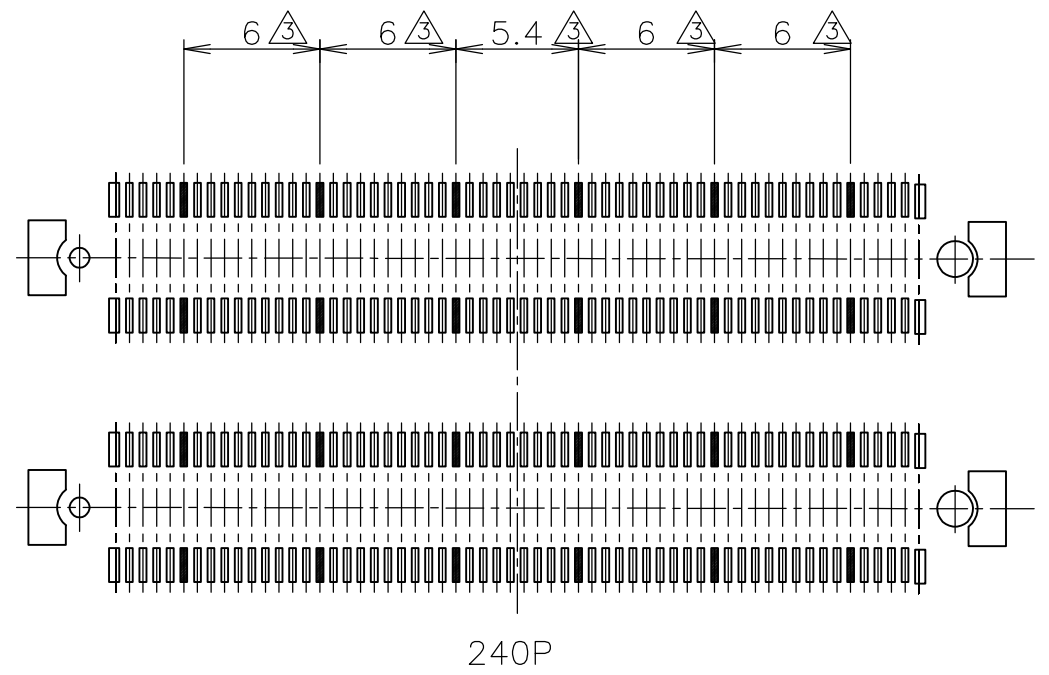
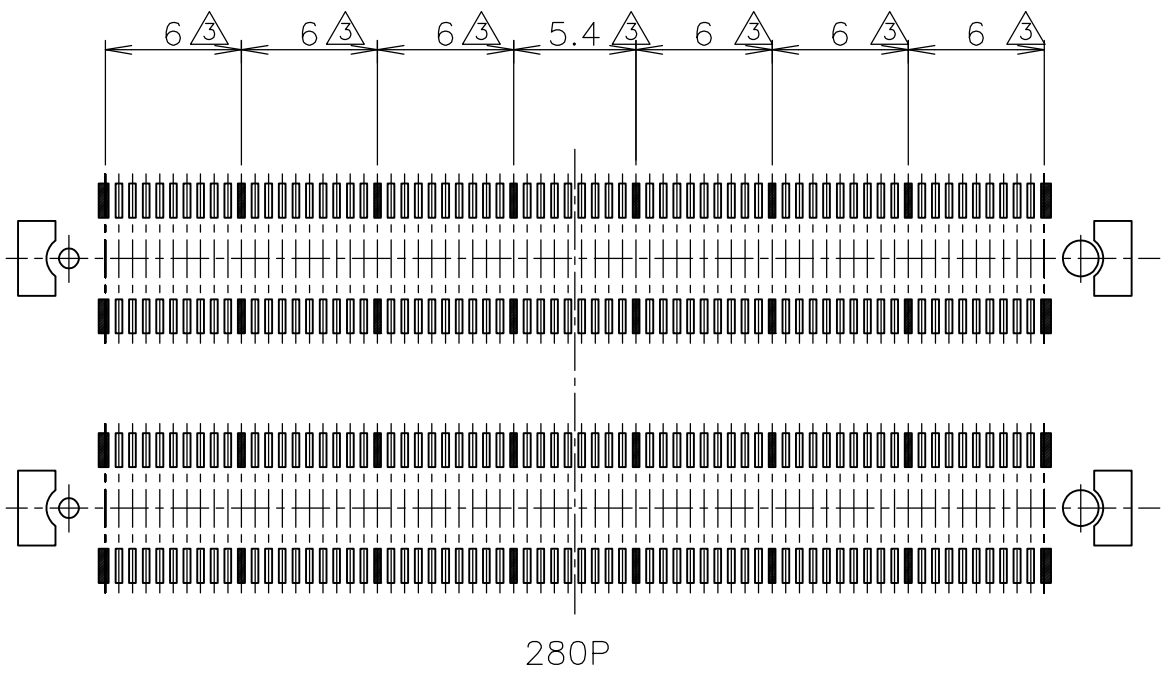
THIS DRAWING IS A CONTROLLED DOCUMENT.

DIMENSIONS: 単位: 耗 mm	TOLERANCES UNLESS OTHERWISE SPECIFIED: 一般公差	Tyco Electronics Tyco Electronics Corporation Kawasaki, Japan
0 PLC ±-	1 PLC ±-	
2 PLC ±-	3 PLC ±-	
4 PLC ±-	ANGLES ±-	
MATERIAL 材料	FINISH 仕上	EMBOSS ASSY FH 0.6BTB CONNECTOR REC 4H 2ROW TYPE W/G-CONT
		SIZE: A3 CAGE CODE: 00779 DRAWING NO: C-5353206 RESTRICTED TO: []
CUSTOMER DRAWING		SCALE: 2:1 SHEET: 2 OF 3 REV: A

NOT AVAILABLE	52.6	51.8	50.6	47.4	50	54.7	54.7	320	1-353123-1
AVAILABLE	46.6	45.8	44.6	41.4	44	48.7	48.7	280	1- -0
NOT AVAILABLE	40.6	39.8	38.6	35.4	38	42.7	42.7	240	-9
AVAILABLE	34.6	33.8	32.6	29.4	32	36.7	36.7	200	353123-8
TOOLING STATUS	G	F	E	D	C	B	A	POS	CAP P/N

THIS DRAWING IS UNPUBLISHED. RELEASED FOR PUBLICATION JUN , 1996.
 © COPYRIGHT 1996 BY TYCO ELECTRONICS CORPORATION. ALL RIGHTS RESERVED.

LOC	DIST	REVISIONS		
		P	LTR	DESCRIPTION
J			-	SEE SHEET 1
				DATE
				DWN
				APVD



GENERAL TOLERANCE
一般公差

10 ≥	±0.2
30 ≥	>10: ±0.25
100 ≥	>30: ±0.3
ANGLES: ±3°	

THIS DRAWING IS A CONTROLLED DOCUMENT.

DIMENSIONS: 単位: 耗 mm	TOLERANCES UNLESS OTHERWISE SPECIFIED: 一般公差
	0 PLC ± - 1 PLC ± - 2 PLC ± - 3 PLC ± - 4 PLC ± - ANGLES ± -
MATERIAL 材料	FINISH 仕上

DWN	Tyco Electronics Corporation Kawasaki, Japan	
CHK	NAME 名称	
APVD	EMBOSS ASSY FH 0.6BTB CONNECTOR REC 4H 2ROW TYPE W/G-CONT	
PRODUCT SPEC 製品規格	SIZE	CAGE CODE
APPLICATION SPEC 取付適用規格	A3	00779
WEIGHT	DRAWING NO 番号	RESTRICTED TO
CUSTOMER DRAWING	G-5353206	
SCALE 尺度	SHEET	REV
3:1	3 OF 3	A